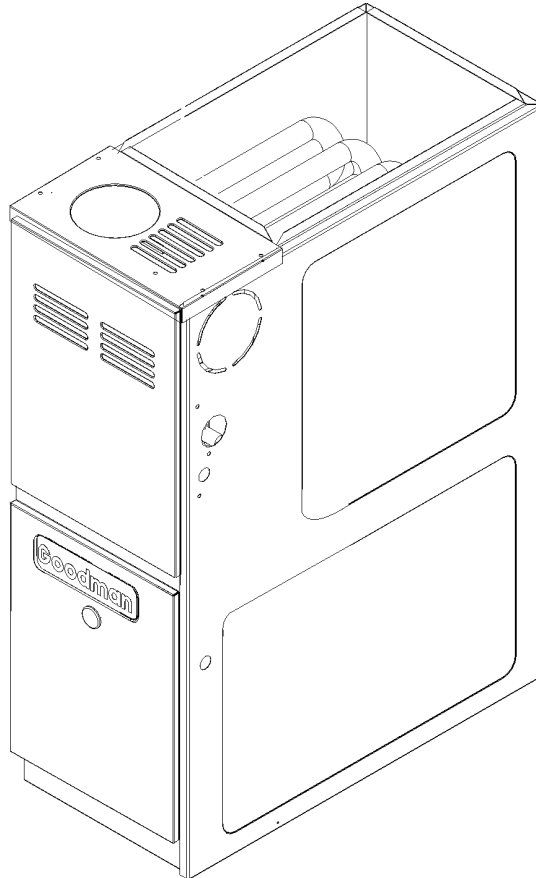




REPAIR PARTS

GMS8**BC/BD Single-Stage Multi-Speed Furnace

- GMS80453ANBC
- GMS80453ANBD
- GMS80453AXBC
- GMS80453AXBD
- GMS80703ANBC
- GMS80703ANBD
- GMS80703AXBC
- GMS80703AXBD
- GMS80704BNBC
- GMS80704BNBD
- GMS80704BXBC
- GMS80704BXBD
- GMS80904BNBC
- GMS80904BNBD
- GMS80904BXBC
- GMS80904BXBD
- GMS80905CNBC
- GMS80905CNBD
- GMS80905CXBC
- GMS80905CXBD
- GMS81155CNBC
- GMS81155CNBD
- GMS81155CXBC
- GMS81155CXBD
- GMS81405DNBC
- GMS81405DNBD



Goodman Manufacturing Company, L.P.
5151 San Felipe, Suite 500
Houston, TX 77056

www.goodmanmfg.com

RP-447A
August 2007

Important Information

Index

Functional Parts List	3 - 4
Illustration and Parts	6 - 15

Views shown are for parts illustrations only, not servicing procedures

Rev. A: Added "BD"models.

Text Codes:

AR - As Required

NA - Not Available

NS - Not Shown

00000000 - See Note

QTY - Quantity Example (QTY 3) (If Quantity not shown, Quantity = 1)

M - Model Example (M1) (If M Code not shown, then part is used on all Models)

Expanded Model Nomenclature:

Example M1 - Model#1 M2 - Model#2 M3 - Model#3

Goodman Manufacturing Company, L.P. is not responsible for personal injury or property damage resulting from improper service. Review all service information before beginning repairs.

Warranty service must be performed by an authorized technician, using authorized factory parts. If service is required after the warranty expires, Goodman Manufacturing Company, L.P. also recommends contacting an authorized technician and using authorized factory parts.

Goodman Manufacturing Company, L.P. reserves the right to discontinue, or change at any time, specifications or designs without notice or without incurring obligations.

For assistance within the U.S.A. contact:
Consumer Affairs Department
Goodman Manufacturing Company, L.P.
7401 Security Way
Houston, Texas 77040
877-254-4729-Telephone
713-863-2382-Facsimile

For assistance outside the U.S.A. contact:
International Division
Goodman Manufacturing Company, L.P.
7401 Security Way
Houston, Texas 77040
713-861-2500-Telephone
713-863-2382-Facsimile

Functional Parts

Part

No: Description:

Part No:	Description:	Part No:	Description:
B1370155	AUXILIARY LIMIT SWITCH, 120°F	4021309S	SUB-ASSY, HEAT EXCHANGER 4 CELL, 17.5" (M13, M14, M15, M16)
20046618S	BLOWER MOTOR 3/4 HP (M25, M26)	4021310S	SUB-ASSY, HEAT EXCHANGER 4 CELL, 21.0" (M17, M18, M19, M20)
CAP125000370RPS	CAPACITOR 12.5/370V (M1, M2, M3, M4, M5, M6, M7, M8)	4021311S	SUB-ASSY, HEAT EXCHANGER 5 CELL, 21.0" (M21, M22, M23, M24)
CAP200000370RPS	CAPACITOR 20/370V (M9, M10, M11, M12, M13, M14, M15, M16, M17, M18, M19, M20, M21, M22, M23, M24)	4021312S	SUB-ASSY, HEAT EXCHANGER 6 CELL, 24.0" (M25, M26)
CAP250000370RPS	CAPACITOR 25/370V (M25, M26)	B1141605	TRANSFORMER 120V TO 24V, 40VA
0130F00010	FLAME SENSOR	0131M00002S	VENT MOTOR (M2, M4, M6, M8, M10, M12, M14, M16, M18, M20, M22, M24, M26)
B4026006	GAS MANIFOLD 3 CELL (M5, M6, M7, M8, M9, M10, M11, M12)	0131F00006S	VENT MOTOR, SINGLE STAGE ROUNDNOSE (M1, M3, M5, M7, M9, M11, M13, M15, M17, M19, M21, M23, M25)
B4026007	GAS MANIFOLD 4 CELL (M13, M14, M15, M16, M17, M18, M19, M20)	0259F00006P	WIRE HARNESS ASSY, 12-PIN
B4026008	GAS MANIFOLD 5 CELL (M21, M22, M23, M24)	B4068404	WIRE HARNESS ASSY, IGNITOR 2-PIN
B4026009	GAS MANIFOLD 6 CELL (M25, M26)		
B1282628	GAS VALVE (36G)		
PCBBF112S	IGNITION BOARD, HSI INTEGRATED		
20165703S	IGNITOR		
B4022700	INSHOT BURNER ASSY 3" (QTY 2)		
B1370818	INTERLOCK SWITCH		
B1340024S	MOTOR 1/2 HP, 4 SP, 6 PL (M9, M10, M11, M12, M13, M14, M15, M16, M17, M18, M19, M20, M21, M22, M23, M24)		
B1340025S	MOTOR 1/3 HP, 4 SP, 6 PL (M1, M2, M3, M4, M5, M6, M7, M8)		
10716003	ORIFICE (QTY AR)		
B1370142	PRESSURE SWITCH 0.60" WC (M1, M2, M3, M4, M5, M6, M7, M8, M17, M18, M19, M20, M25, M26)		
B1370179	PRESSURE SWITCH 0.75" WC (M13, M14, M15, M16)		
B1370158	PRESSURE SWITCH -0.70" WC (M21, M22, M23, M24)		
B1370176	PRESSURE SWITCH 47 SP (M9, M10, M11, M12)		
B1370198	PRIMARY LIMIT SWITCH 150°F (M21, M22, M23, M24, M25, M26)		
B1370187	PRIMARY LIMIT SWITCH 160°F (M5, M6, M7, M8)		
B1370188	PRIMARY LIMIT SWITCH 170°F (M9, M10, M11, M12, M13, M15, M16)		
B1370189	PRIMARY LIMIT SWITCH 200°F (M17, M18, M19, M20)		
B1370190	PRIMARY LIMIT SWITCH 210°F (M1, M2, M3, M4)		
B1370145	ROLLOUT SWITCH, 300 W/O BRACKET (QTY 2)		
4021300S	SUB-ASSY, HEAT EXCHANGER 2 CELL, 14.0" (M1, M2, M3, M4)		
4021307S	SUB-ASSY, HEAT EXCHANGER 3 CELL, 14.0" (M5, M6, M7, M8)		
4021308S	SUB-ASSY, HEAT EXCHANGER 3 CELL, 17.5" (M9, M10, M11, M12)		

Functional Parts

Part

No: **Description:**

SPECIAL PARTS

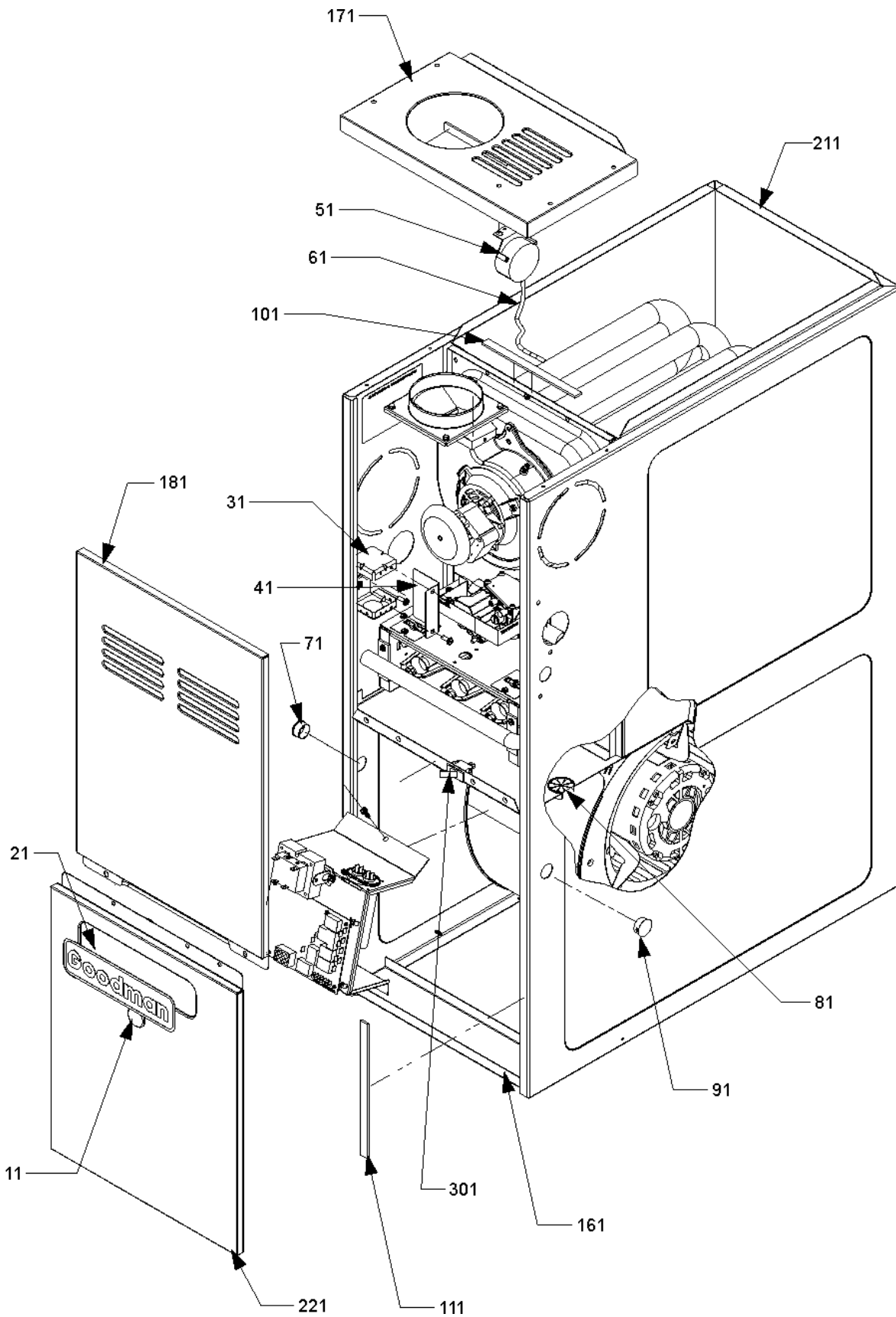
IO-294A	INSTALLATION INSTRUCTIONS
IO-669	INSTALLATION INSTRUCTIONS-HUMIDIFIER
0161F00000P	NAMEPLATE
RP-447A	REPAIR PARTS MANUAL
HI-115A	USERS MANUAL

Expanded Model Nomenclature

M1 - GMS80453ANBC
M2 - GMS80453ANBD
M3 - GMS80453AXBC
M4 - GMS80453AXB
M5 - GMS80703ANBC
M6 - GMS80703ANBD
M7 - GMS80703AXBC
M8 - GMS80703AXB
M9 - GMS80704BNBC
M10 - GMS80704BNBD
M11 - GMS80704BXBC
M12 - GMS80704BXBD
M13 - GMS80904BNBC
M14 - GMS80904BNBD
M15 - GMS80904BXBC
M16 - GMS80904BXBD
M17 - GMS80905CNBC
M18 - GMS80905CNBD
M19 - GMS80905CXBC
M20 - GMS80905CXBD
M21 - GMS81155CNBC
M22 - GMS81155CNBD
M23 - GMS81155CXBC
M24 - GMS81155CXBD
M25 - GMS81405DNBC
M26 - GMS81405DNBD

THIS PAGE INTENTIONALLY LEFT BLANK

Cabinet



Cabinet

Ref Part No:	Description:	Ref. Part No:	Description:
<i>Image 1:</i>		221 0221F00013PDG	BLOWER DOOR 21" (M17, M18, M19, M20, M21, M22, M23, M24)
11 B1392139	VIEW PORT BUSHING	221 0221F00014PDG	BLOWER DOOR 24.5" (M25, M26)
21 0161F00000P	NAMEPLATE	301 B1370818	INTERLOCK SWITCH
31 4014502	J-BOX	Expanded Model Nomenclature	
41 4015502	J-BOX COVER	<div style="border: 1px solid black; padding: 5px;"> M1 - GMS80453ANBC M2 - GMS80453ANBD M3 - GMS80453AXBC M4 - GMS80453AXBD M5 - GMS80703ANBC M6 - GMS80703ANBD M7 - GMS80703AXBC M8 - GMS80703AXBD M9 - GMS80704BNBC M10 - GMS80704BNBD M11 - GMS80704BXBC M12 - GMS80704BXBD M13 - GMS80904BNBC M14 - GMS80904BNBD M15 - GMS80904BXBC M16 - GMS80904BXBD M17 - GMS80905CNBC M18 - GMS80905CNBD M19 - GMS80905CXBC M20 - GMS80905CXBD M21 - GMS81155CNBC M22 - GMS81155CNBD M23 - GMS81155CXBC M24 - GMS81155CXBD M25 - GMS81405DNBC M26 - GMS81405DNBD </div>	
51 B1370142	PRESSURE SWITCH 0.60" WC (M1, M2, M3, M4, M5, M6, M7, M8, M17, M18, M19, M20, M25, M26)		
51 B1370179	PRESSURE SWITCH 0.75" WC (M13, M14, M15, M16)		
51 B1370158	PRESSURE SWITCH -0.70" WC (M21, M22, M23, M24)		
51 B1370176	PRESSURE SWITCH 47 SP (M9, M10, M11, M12)		
61 A3468601	PRESSURE SWITCH HOSE		
71 B1392104	UNIVERSAL BUSHING UB 875		
81 B1392147	UNIVERSAL BUSHING WITH SLICE		
91 B1392019	PLASTIC PLUG, .875 DIA		
101 B13926111	SEAL STRIP 1/8 X 1/2 X 14 (M1, M2, M3, M4, M5, M6, M7, M8)		
111 B13926112	SEAL STRIP 1/8 X 1/2 X 17.5 (M9, M10, M11, M12, M13, M14, M15, M16)		
111 B13926113	SEAL STRIP 1/8 X 1/2 X 21 (M17, M18, M19, M20, M21, M22, M23, M24)		
111 B13926114	SEAL STRIP 1/8 X 1/2 X 24.5 (M25, M26)		
161 1819000	SOLID BOTTOM 14.0" CASE (M1, M2, M3, M4, M5, M6, M7, M8)		
161 1819001	SOLID BOTTOM 17.5" CASE (M9, M10, M11, M12, M13, M14, M15, M16)		
161 1819002	SOLID BOTTOM 21.0" CASE (M17, M18, M19, M20, M21, M22, M23, M24)		
161 1819003	SOLID BOTTOM 24.5" CASE (M25, M26)		
171 0221F00000PDG	TOP 14" (M1, M2, M3, M4, M5, M6, M7, M8)		
171 0221F00001PDG	TOP 17.5" (M9, M10, M11, M12, M13, M14, M15, M16)		
171 0221F00002PDG	TOP 21" (M17, M18, M19, M20, M21, M22, M23, M24)		
171 0221F00003PDG	TOP 24.5" (M25, M26)		
181 0221F00004PDG	ACCESS DOOR 14" (M1, M2, M3, M4, M5, M6, M7, M8)		
181 0221F00005PDG	ACCESS DOOR 17.5" (M9, M10, M11, M12, M13, M14, M15, M16)		
181 0221F00006PDG	ACCESS DOOR 21" (M17, M18, M19, M20, M21, M22, M23, M24)		
181 0221F00007PDG	ACCESS DOOR 24.5" (M25, M26)		
211 0270F00610	INSULATED ASSY, WRAPPER 14" (M1, M2, M3, M4, M5, M6, M7, M8)		
211 0270F00615	INSULATED ASSY, WRAPPER 17.5" (M9, M10, M11, M12, M13, M14, M15, M16)		
211 0270F00620	INSULATED ASSY, WRAPPER 21" (M17, M18, M19, M20, M21, M22, M23, M24)		
211 0270F00625	INSULATED ASSY, WRAPPER 24.5" (M25, M26)		
221 0221F00011PDG	BLOWER DOOR 14" (M1, M2, M3, M4, M5, M6, M7, M8)		
221 0221F00012PDG	BLOWER DOOR 17.5" (M9, M10, M11, M12, M13, M14, M15, M16)		

Blower Assy/Control Panel

Image 1

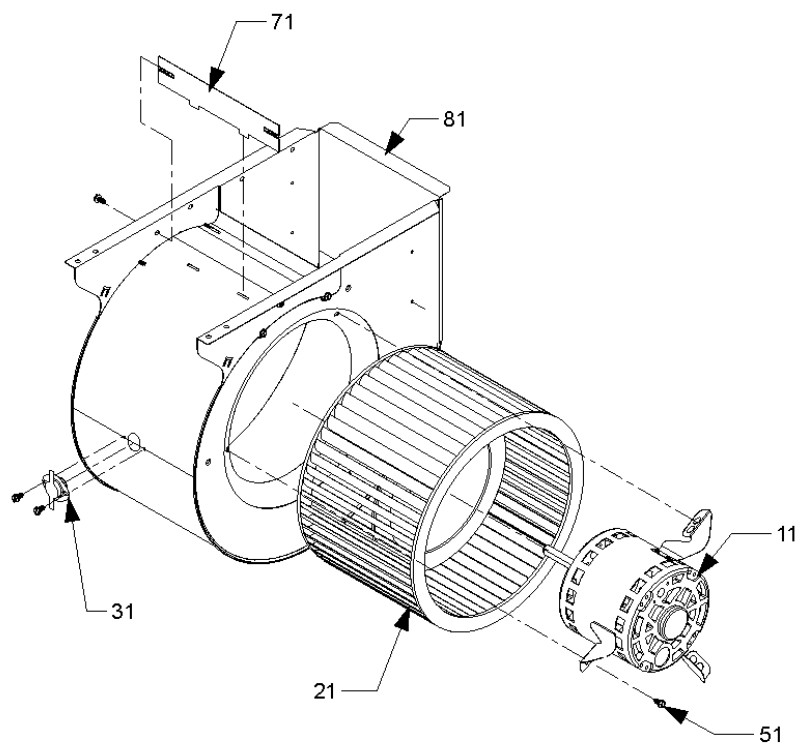
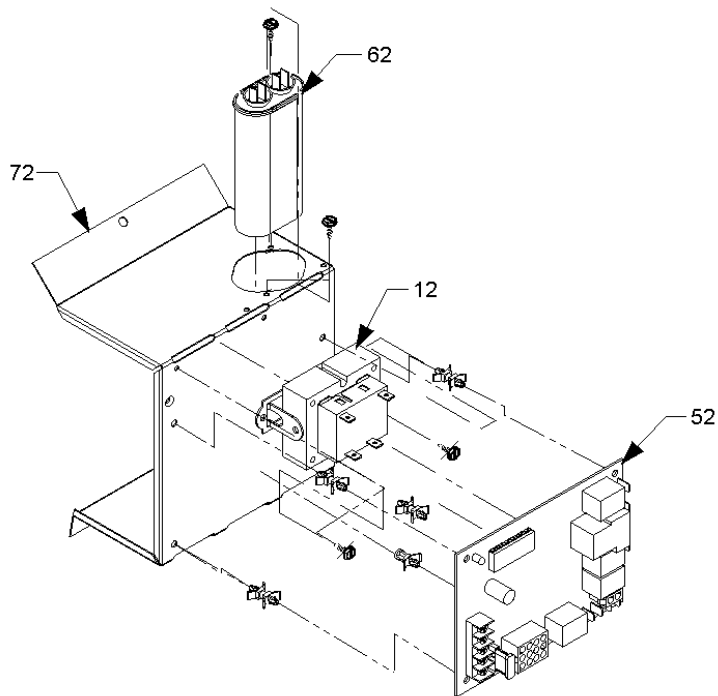


Image 2



Blower Assy/Control Panel

Ref Part No:	Description:	Ref. Part No:	Description:
<i>Image 1:</i>		Expanded Model Nomenclature	
11	20046618S BLOWER MOTOR 3/4 HP (M25, M26)	M1 - GMS80453ANBC	
11	B1340024S MOTOR 1/2 HP, 4 SP, 6 PL (M9, M10, M11, M12, M13, M14, M15, M16, M17, M18, M19, M20, M21, M22, M23, M24)	M2 - GMS80453ANBD	
11	B1340025S MOTOR 1/3 HP, 4 SP, 6 PL (M1, M2, M3, M4, M5, M6, M7, M8)	M3 - GMS80453AXBC	
21	B1368047A BLOWER WHEEL 10 X 10 (M17, M18, M19, M20, M21, M22, M23, M24, M25, M26)	M4 - GMS80453AXBD	
21	B1368034S BLOWER WHEEL 10 X 6 (M1, M2, M3, M4, M5, M6, M7, M8)	M5 - GMS80703ANBC	
21	B1368016S BLOWER WHEEL 10 X 8 (M9, M10, M11, M12, M13, M14, M15, M16)	M6 - GMS80703ANBD	
31	B1370155 AUXILIARY LIMIT SWITCH, 120°F	M7 - GMS80703AXBC	
51	B1393331 MACHINE SCREW, 1/4-20 TYPE F SLOTTED (QTY 3)	M8 - GMS80703AXBD	
71	764741F BLOWER BLOCK-OFF 10 X 10 (M17, M18, M19, M20, M21, M22, M23, M24, M25, M26)	M9 - GMS80704BNBC	
71	764739 BLOWER BLOCK-OFF 10 X 6 (M1, M2, M3, M4, M5, M6, M7, M8)	M10 - GMS80704BNBD	
71	764740F BLOWER BLOCK-OFF 10 X 8 (M9, M10, M11, M12, M13, M14, M15, M16)	M11 - GMS80704BXBC	
81	2539307S BLOWER SHELL ASSY 10 X 10 (M17, M18, M19, M20, M21, M22, M23, M24, M25, M26)	M12 - GMS80704BXBD	
81	2539305S BLOWER SHELL ASSY 10 X 6 (M1, M2, M3, M4, M5, M6, M7, M8)	M13 - GMS80904BNBC	
81	2539306S BLOWER SHELL ASSY 10 X 8 (M9, M10, M11, M12, M13, M14, M15, M16)	M14 - GMS80904BNBD	
NS	0259F00006P WIRE HARNESS ASSY, 12-PIN	M15 - GMS80904BXBC	
<i>Image 2:</i>		M16 - GMS80904BXBD	
12	B1141605 TRANSFORMER 120V TO 24V, 40VA	M17 - GMS80905CNBC	
52	PCBBF112S IGNITION BOARD, HSI INTEGRATED	M18 - GMS80905CNBD	
62	CAP125000370RPSCAPACITOR 12.5/370V (M1, M2, M3, M4, M5, M6, M7, M8)	M19 - GMS80905CXBC	
62	CAP200000370RPSCAPACITOR 20/370V (M9, M10, M11, M12, M13, M14, M15, M16, M17, M18, M19, M20, M21, M22, M23, M24)	M20 - GMS80905CXBD	
62	CAP250000370RPSCAPACITOR 25/370V (M25, M26)	M21 - GMS81155CNBC	
72	1815817 CONTROL MOUNTING PANEL	M22 - GMS81155CNBD	
		M23 - GMS81155CXBC	
		M24 - GMS81155CXBD	
		M25 - GMS81405DNBC	
		M26 - GMS81405DNBD	

Heat Exchanger Assy/Flue Collector Box "BC" models

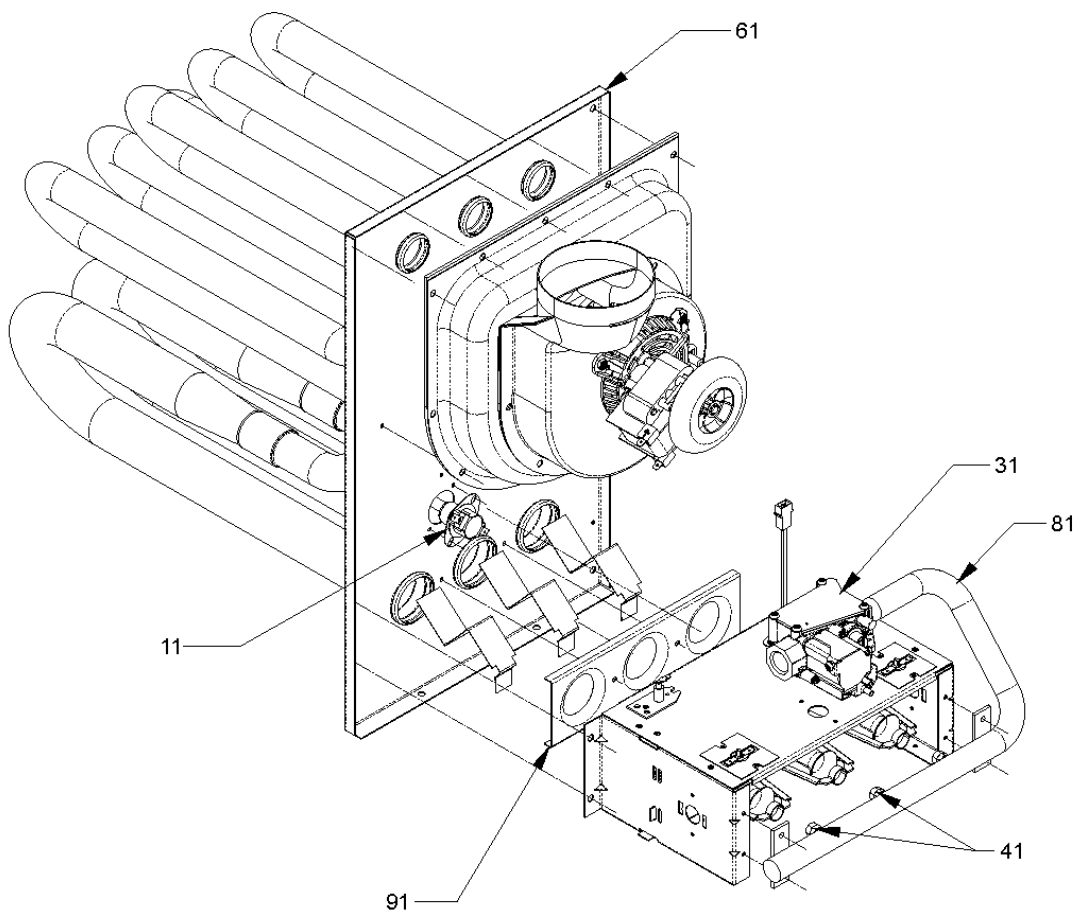
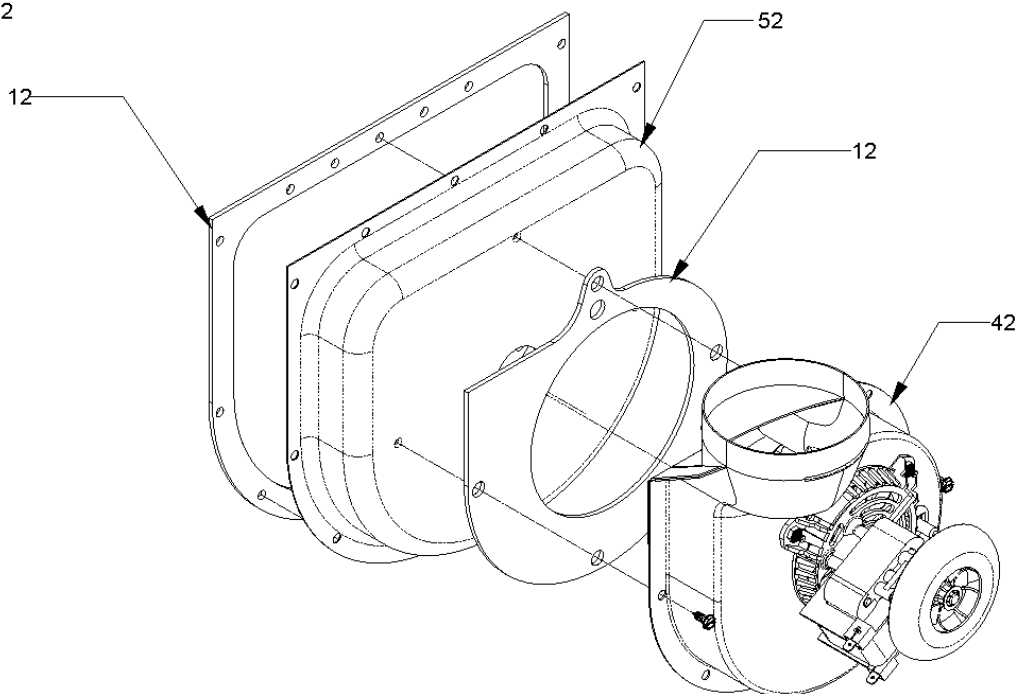


Image 1

Image 2



Heat Exchanger Assy/Flue Collector Box "BC" models

Ref Part No:	Description:	Ref. Part No:	Description:
<i>Image 1:</i>		52 4010017S	FLUE COLLECTOR BOX 21.0", 2.250 MOD A (M21, M23)
11 B1370198	PRIMARY LIMIT SWITCH 150°F (M21, M23, M25)	52 4010018S	FLUE COLLECTOR BOX 24.5", 3.625 MOD A (M25)
11 B1370187	PRIMARY LIMIT SWITCH 160°F (M5, M7)	Expanded Model Nomenclature	
11 B1370188	PRIMARY LIMIT SWITCH 170°F (M9, M11, M13, M15)	M1 - GMS80453ANBC	
11 B1370189	PRIMARY LIMIT SWITCH 200°F (M17, M19)	M2 - GMS80453ANBD	
11 B1370190	PRIMARY LIMIT SWITCH 210°F (M1, M3)	M3 - GMS80453AXBC	
31 B1282628	GAS VALVE (36G) (M1, M3, M5, M7, M9, M11, M13, M15, M17, M19, M21, M23, M25)	M4 - GMS80453AXBD	
41 10716003	ORIFICE (M1, M3, M5, M7, M9, M11, M13, M15, M17, M19, M21, M23, M25)	M5 - GMS80703ANBC	
61 4021300S	SUB-ASSY, HEAT EXCHANGER 2 CELL, 14.0" (M1, M3)	M6 - GMS80703ANBD	
61 4021307S	SUB-ASSY, HEAT EXCHANGER 3 CELL, 14.0" (M5, M7)	M7 - GMS80703AXBC	
61 4021308S	SUB-ASSY, HEAT EXCHANGER 3 CELL, 17.5" (M9, M11)	M8 - GMS80703AXBD	
61 4021309S	SUB-ASSY, HEAT EXCHANGER 4 CELL, 17.5" (M13, M15)	M9 - GMS80704BNBC	
61 4021310S	SUB-ASSY, HEAT EXCHANGER 4 CELL, 21.0" (M17, M19)	M10 - GMS80704BNBD	
61 4021311S	SUB-ASSY, HEAT EXCHANGER 5 CELL, 21.0" (M21, M23)	M11 - GMS80704BXBC	
61 4021312S	SUB-ASSY, HEAT EXCHANGER 6 CELL, 24.0" (M25)	M12 - GMS80704BXBD	
81 B4026005	GAS MANIFOLD 2 CELL (M1, M3)	M13 - GMS80904BNBC	
81 B4026006	GAS MANIFOLD 3 CELL (M5, M7, M9, M11)	M14 - GMS80904BNBD	
81 B4026007	GAS MANIFOLD 4 CELL (M13, M15, M17, M19)	M15 - GMS80904BXBC	
81 B4026008	GAS MANIFOLD 5 CELL (M21, M23)	M16 - GMS80904BXBD	
81 B4026009	GAS MANIFOLD 6 CELL (M25)	M17 - GMS80905CNBC	
91 4028000	ORIFICE PLATE 2 CELL (M1, M3)	M18 - GMS80905CNBD	
91 4028001	ORIFICE PLATE 3 CELL (M5, M7, M9, M11)	M19 - GMS80905CXBC	
91 4028002	ORIFICE PLATE 4 CELL (M13, M15, M17, M19)	M20 - GMS80905CXBD	
91 4028003	ORIFICE PLATE 5 CELL (M21, M23)	M21 - GMS81155CNBC	
91 4028004	ORIFICE PLATE 6 CELL (M25)	M22 - GMS81155CNBD	
<i>Image 2:</i>		M23 - GMS81155CXBC	
12 B1392633	VENT MOTOR GASKET 14" (M1, M3, M5, M7)	M24 - GMS81155CXBD	
12 B1392634	VENT MOTOR GASKET 17.5" (M9, M11, M13, M15)	M25 - GMS81405DNBC	
12 B1392635	VENT MOTOR GASKET 21" (M17, M19, M21, M23)	M26 - GMS81405DNBD	
12 B1392636	VENT MOTOR GASKET 24.5" (M25)		
42 0131F00006S	VENT MOTOR, SINGLE STAGE ROUNDNOSE (M1, M3, M5, M7, M9, M11, M13, M15, M17, M19, M21, M23, M25)		
52 4010012S	FLUE COLLECTOR BOX 14.0", 1.500 MOD A (M1, M3)		
52 4010013S	FLUE COLLECTOR BOX 14.0", 2.000 MOD A (M5, M7)		
52 4010014S	FLUE COLLECTOR BOX 17.5", 2.000 MOD A (M9, M11)		
52 4010015S	FLUE COLLECTOR BOX 17.5", 2.000 MOD A (M13, M15)		
52 4010016S	FLUE COLLECTOR BOX 21.0", 2.000 MOD A (M17, M19)		

Heat Exchanger Assy/Flue Collector Box "BD" models

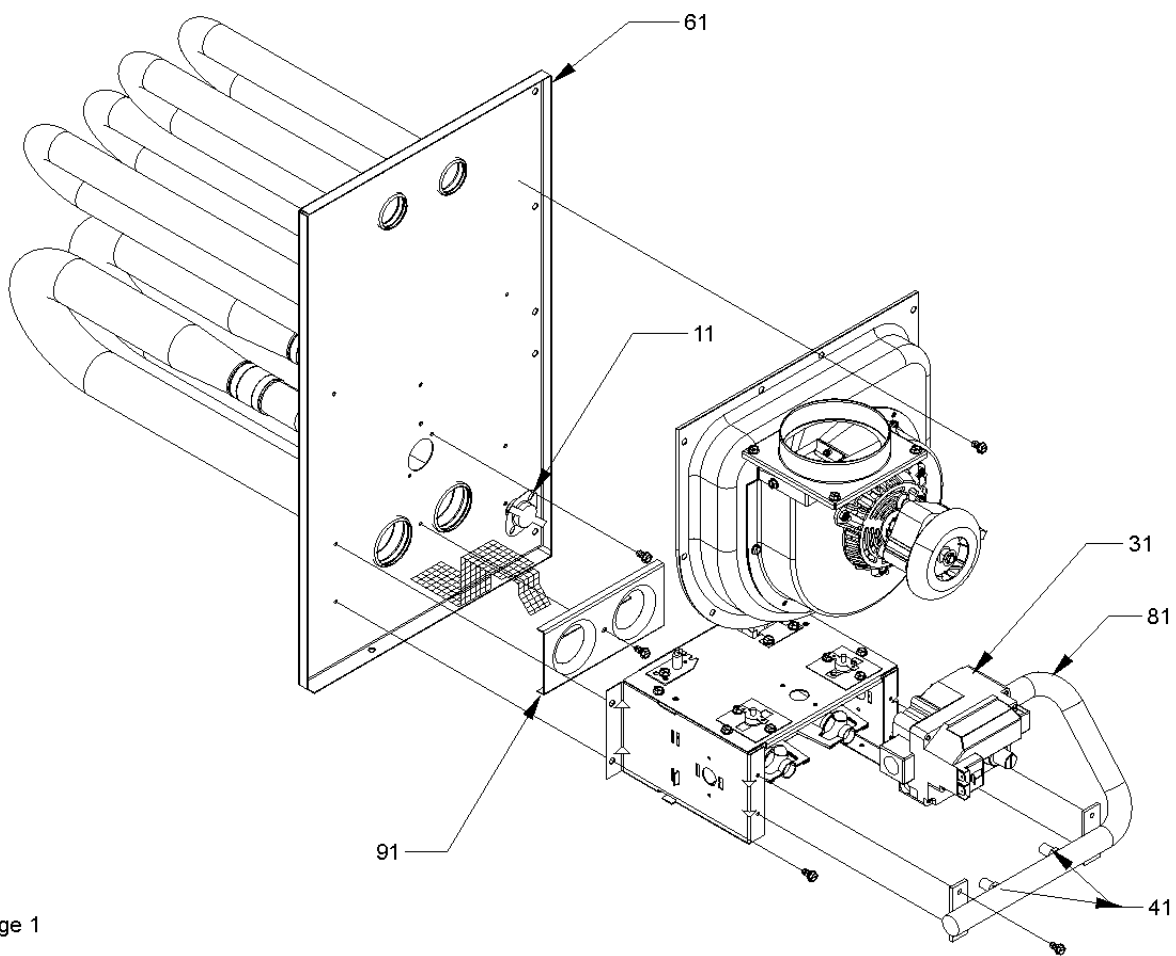
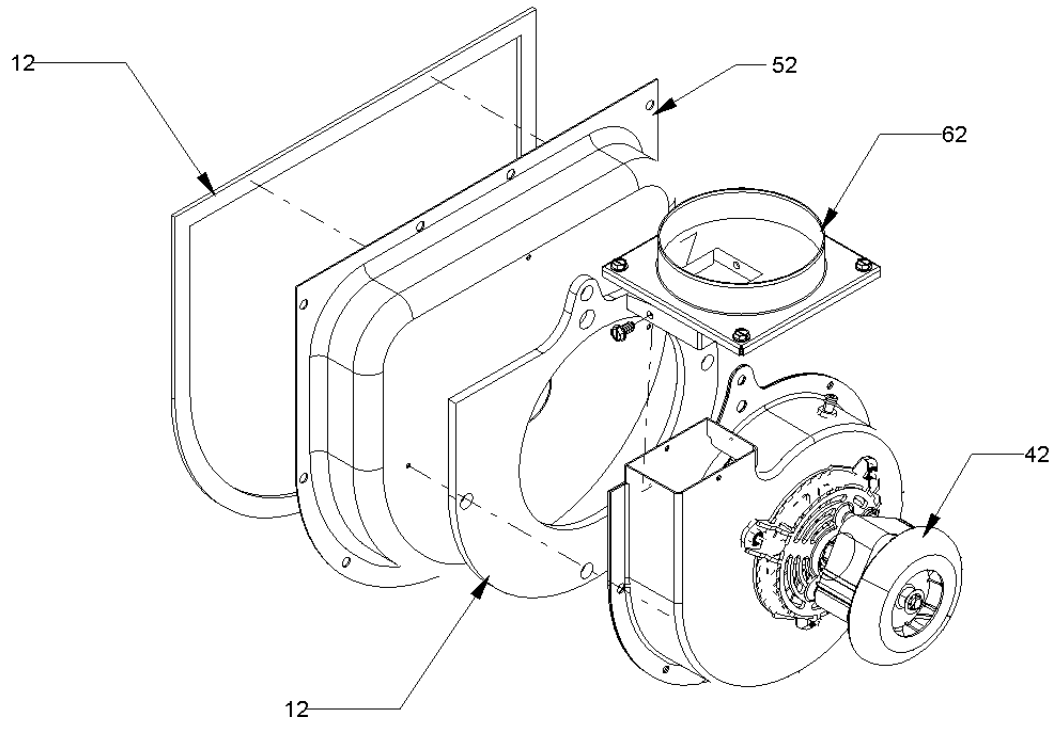


Image 1

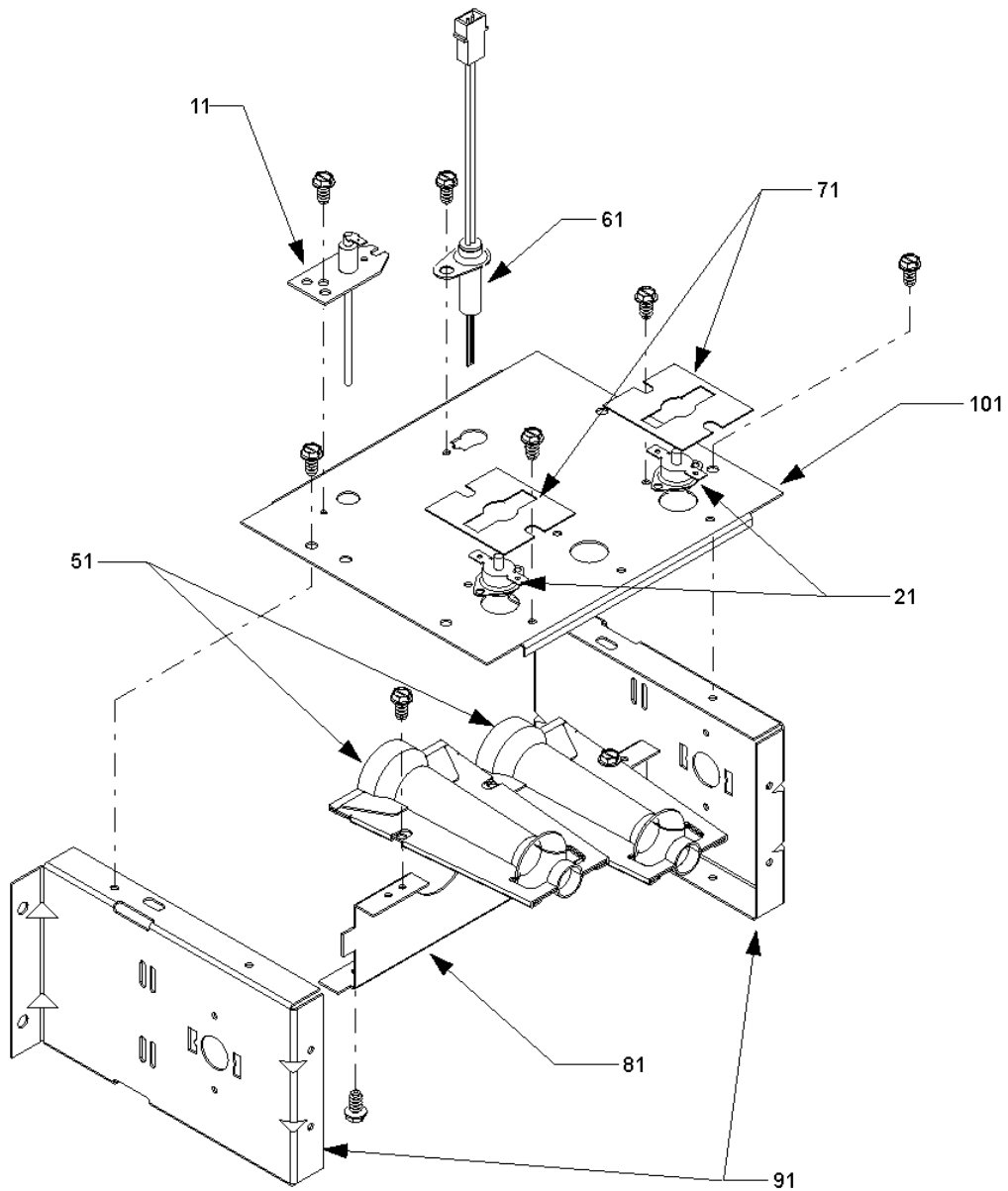
Image 2



Heat Exchanger Assy/Flue Collector Box "BD" models

Ref Part No:	Description:	Ref. Part No:	Description:		
<i>Image 1:</i>		52	4010017S FLUE COLLECTOR BOX 21.0", 2.250 MOD A (M22, M24)		
11	B1370198 PRIMARY LIMIT SWITCH 150°F (M14, M22, M24, M26)	52	4010018S FLUE COLLECTOR BOX 24.5", 3.625 MOD A (M26)		
11	B1370187 PRIMARY LIMIT SWITCH 160°F (M6, M8)	62	4053501S CHIMNEY ASSEMBLY (M2, M4, M6, M8, M10, M12, M14, M16, M18, M20, M22, M24, M26)		
11	B1370188 PRIMARY LIMIT SWITCH 170°F (M10, M12, M16)	Expanded Model Nomenclature			
11	B1370189 PRIMARY LIMIT SWITCH 200°F (M18, M19, M20)	<div style="border: 1px solid black; padding: 5px;"> M1 - GMS80453ANBC M2 - GMS80453ANBD M3 - GMS80453AXBC M4 - GMS80453AXBD M5 - GMS80703ANBC M6 - GMS80703ANBD M7 - GMS80703AXBC M8 - GMS80703AXBD M9 - GMS80704BNBC M10 - GMS80704BNBD M11 - GMS80704BXBC M12 - GMS80704BXBD M13 - GMS80904BNBC M14 - GMS80904BNBD M15 - GMS80904BXBC M16 - GMS80904BXBD M17 - GMS80905CNBC M18 - GMS80905CNBD M19 - GMS80905CXBC M20 - GMS80905CXBD M21 - GMS81155CNBC M22 - GMS81155CNBD M23 - GMS81155CXBC M24 - GMS81155CXBD M25 - GMS81405DNBC M26 - GMS81405DNBD </div>			
11	B1370190 PRIMARY LIMIT SWITCH 210°F (M2, M4)				
31	B1282628 GAS VALVE (36G) (M2, M4, M6, M8, M10, M12, M14, M16, M18, M20, M22, M24, M26)				
41	10716003 ORIFICE (M2, M4, M6, M8, M10, M12, M14, M16, M18, M20, M22, M24, M26)				
61	4021300S SUB-ASSY, HEAT EXCHANGER 2 CELL, 14.0" (M2, M4)				
61	4021307S SUB-ASSY, HEAT EXCHANGER 3 CELL, 14.0" (M6, M8)				
61	4021308S SUB-ASSY, HEAT EXCHANGER 3 CELL, 17.5" (M10, M12)				
61	4021309S SUB-ASSY, HEAT EXCHANGER 4 CELL, 17.5" (M14, M16)				
61	4021310S SUB-ASSY, HEAT EXCHANGER 4 CELL, 21.0" (M18, M20)				
61	4021311S SUB-ASSY, HEAT EXCHANGER 5 CELL, 21.0" (M22, M24)				
61	4021312S SUB-ASSY, HEAT EXCHANGER 6 CELL, 24.0" (M26)				
81	B4026005 GAS MANIFOLD 2 CELL (M2, M4)				
81	B4026006 GAS MANIFOLD 3 CELL (M6, M8, M10, M12)				
81	B4026007 GAS MANIFOLD 4 CELL (M14, M16, M18, M20)				
81	B4026008 GAS MANIFOLD 5 CELL (M22, M24)				
81	B4026009 GAS MANIFOLD 6 CELL (M26)				
91	4028000 ORIFICE PLATE 2 CELL (M2, M4)				
91	4028001 ORIFICE PLATE 3 CELL (M6, M8, M10, M12)				
91	4028002 ORIFICE PLATE 4 CELL (M14, M16, M18, M20)				
91	4028003 ORIFICE PLATE 5 CELL (M22, M24)				
91	4028004 ORIFICE PLATE 6 CELL (M26)				
<i>Image 2:</i>					
12	B1392633 VENT MOTOR GASKET 14" (M2, M4, M6, M8)				
12	B1392634 VENT MOTOR GASKET 17.5" (M10, M12, M14, M16)				
12	B1392635 VENT MOTOR GASKET 21" (M18, M20, M22, M24)				
12	B1392636 VENT MOTOR GASKET 24.5" (M26)				
42	0131M00002S VENT MOTOR (M2, M4, M6, M8, M10, M12, M14, M16, M18, M20, M22, M24, M26)				
52	4010012S FLUE COLLECTOR BOX 14.0", 1.500 MOD A (M2, M4)				
52	4010013S FLUE COLLECTOR BOX 14.0", 2.000 MOD A (M6, M8)				
52	4010014S FLUE COLLECTOR BOX 17.5", 2.000 MOD A (M10, M12)				
52	4010015S FLUE COLLECTOR BOX 17.5", 2.000 MOD A (M14, M16)				
52	4010016S FLUE COLLECTOR BOX 21.0", 2.000 MOD A (M18, M20)				

Burner Box



Burner Box

Ref Part No:	Description:	Ref. Part No:	Description:
<i>Image 1:</i>		Expanded Model Nomenclature	
11	0130F00010	FLAME SENSOR	M1 - GMS80453ANBC
21	B1370145	ROLLOUT SWITCH, 300 W/O BRACKET (QTY 2)	M2 - GMS80453ANBD
51	B4022700	INSHOT BURNER ASSY 3" (QTY 2)	M3 - GMS80453AXBC
61	20165703S	IGNITOR	M4 - GMS80453AXBD
71	2509503	ROLLOUT SWITCH BRACKET (QTY 2)	M5 - GMS80703ANBC
81	2513500	BURNER RACK 2 CELL (M1, M2, M3, M4)	M6 - GMS80703ANBD
81	2513501	BURNER RACK 3 CELL (M5, M6, M7, M8, M9, M10, M11, M12)	M7 - GMS80703AXBC
81	2513502	BURNER RACK 4 CELL (M13, M14, M15, M16, M17, M18, M19, M20)	M8 - GMS80703AXBD
81	2513503	BURNER RACK 5 CELL (M21, M22, M23, M24)	M9 - GMS80704BNBC
81	2513504	BURNER RACK 6 CELL (M25, M26)	M10 - GMS80704BNBD
91	2514000	SIDE PLATE, BURNER BOX (QTY 2)	M11 - GMS80704BXBC
101	4013010	BURNER BOX TOP 2 CELL (M1, M2, M3, M4)	M12 - GMS80704BXBD
101	4013011	BURNER BOX TOP 3 CELL (M5, M6, M7, M8, M9, M10, M11, M12)	M13 - GMS80904BNBC
101	4013012	BURNER BOX TOP 4 CELL (M13, M14, M15, M16, M17, M18, M19, M20)	M14 - GMS80904BNBD
101	4013013	BURNER BOX TOP 5 CELL (M21, M22, M23, M24)	M15 - GMS80904BXBC
101	4013014	BURNER BOX TOP 6 CELL (M25, M26)	M16 - GMS80904BXBD
NS	B4068404	WIRE HARNESS ASSY, IGNITOR 2-PIN	M17 - GMS80905CNBC
			M18 - GMS80905CNBD
			M19 - GMS80905CXBC
			M20 - GMS80905CXBD
			M21 - GMS81155CNBC
			M22 - GMS81155CNBD
			M23 - GMS81155CXBC
			M24 - GMS81155CXBD
			M25 - GMS81405DNBC
			M26 - GMS81405DNBD